

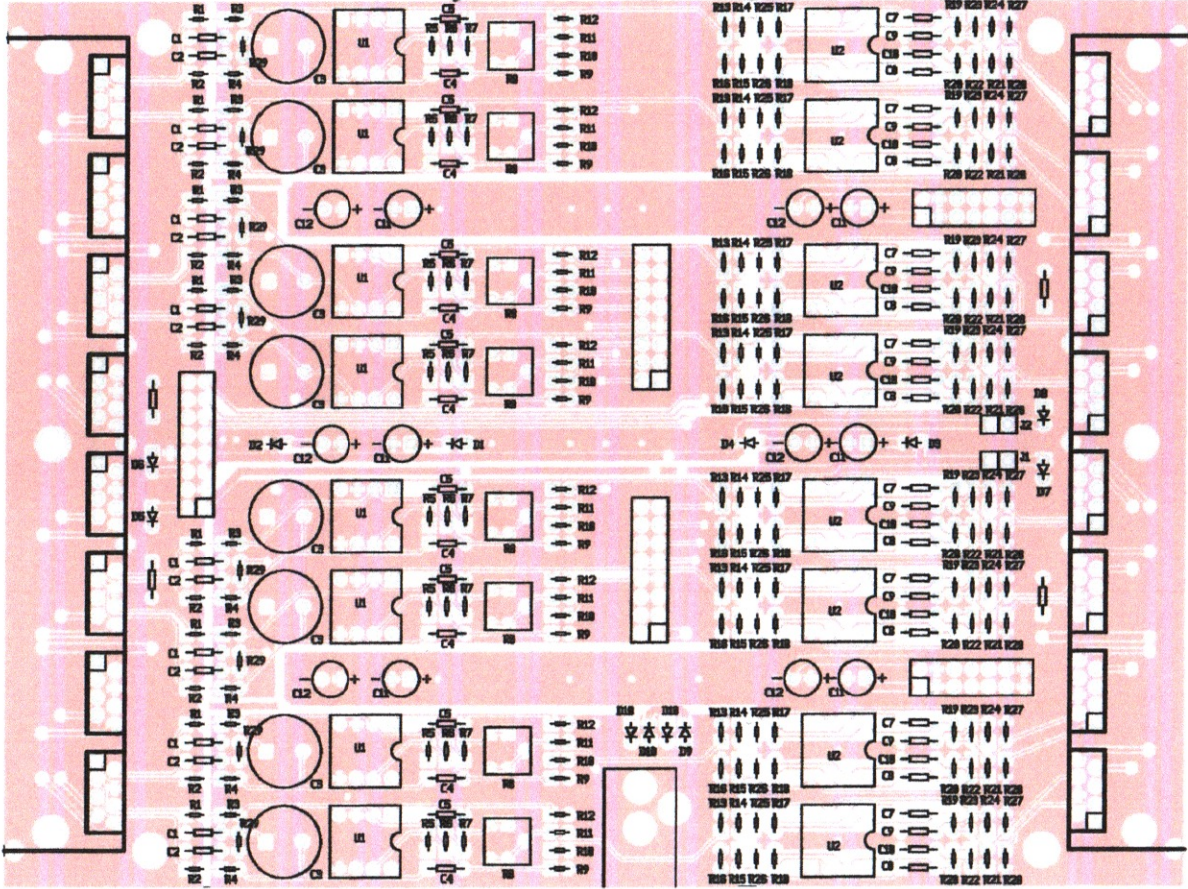
outboard_topassembly, scale = 1:1.000
outboard.pcb



1-1 IC Sockets - 16

1-2 22pf Capacitors - 48

Output



1.3 Trim pots - 8

outboard, topassembly, scale = 1:1.000
outboard.pcb

2

Resistors

R5	R6	R7
20K	10K	3320
x8	x8	x8

1 Meg x8

100Ω x16

10K x98

1 Meg x16
R25
R26

20K x48

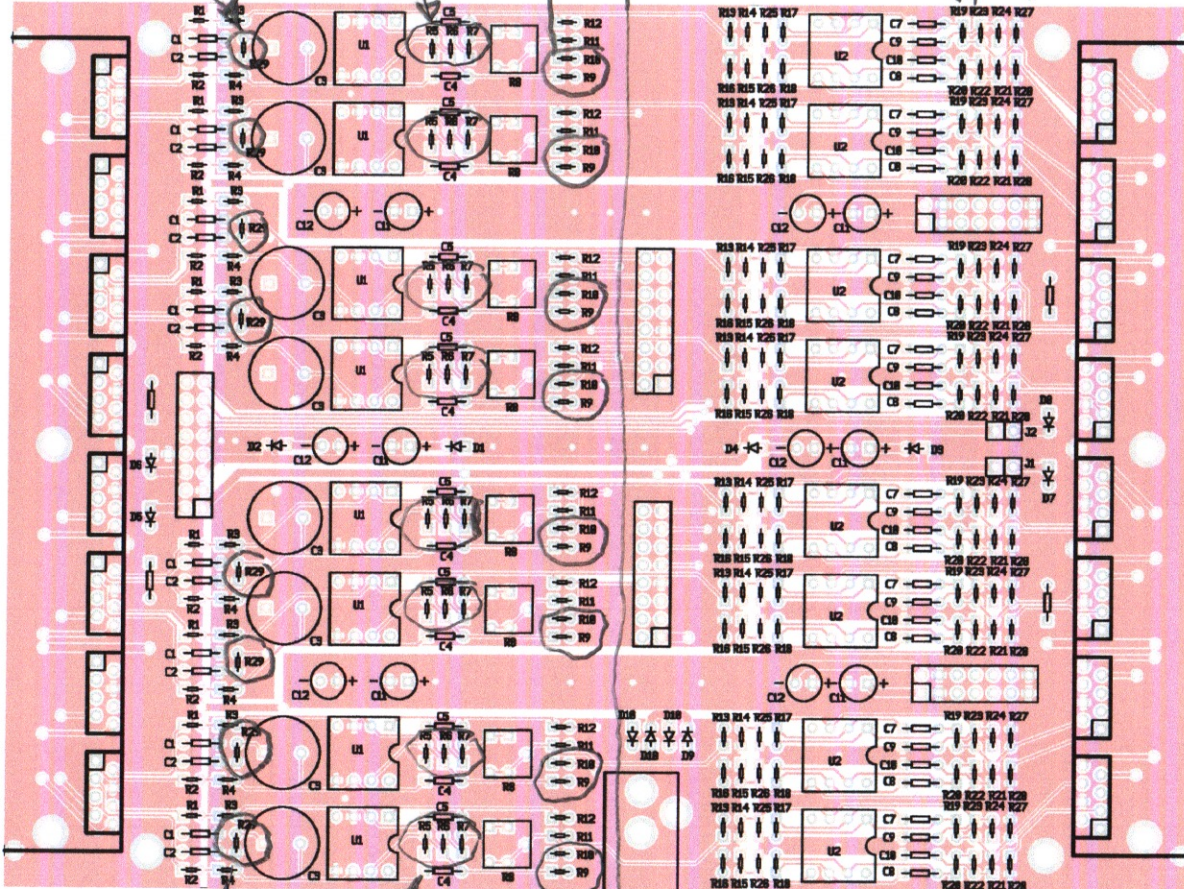
"Floating"

Totals:
 20k x56
 10K x56
 100 x32
 1Meg x24

Choose:
 Build as either
 "floating" or "non-floating"
 Usually,
 "floating" is preferred

Leave out

R11, R12
 R1, R2, R3, R4
 C1, C2
 D5, D6



1 Meg

100Ω

R5	R6	R7
20K	10K	3320
x8	x8	x8

10K x64

100Ω x16

Leave out.

"Non-Floating"

Totals!
10K x72

outboard, topassembly, scale = 1:1.000
outboard.pcb

3

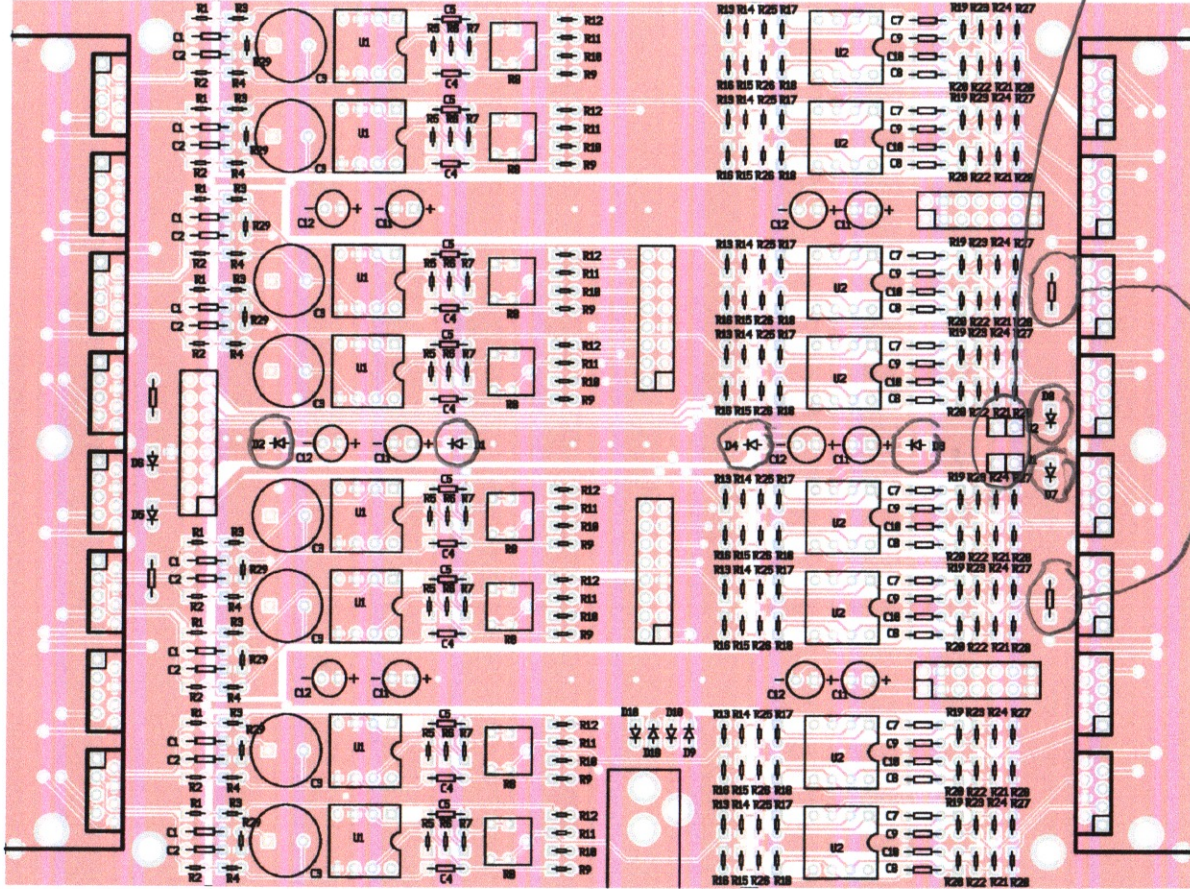
3-1

Diodes x6

D1
D2
D3
D4
D7
D8
Only

3-2

2 pin header



3-3

PTC
"Fuse"
x2

Capacitors

3-5

100mf
"bi-polar"
x8

100nf Polar observe polarity

x12

3-4

- ⊕
Longer wire

outboard, top assembly, scale = 1:1.000
outboard, pcb

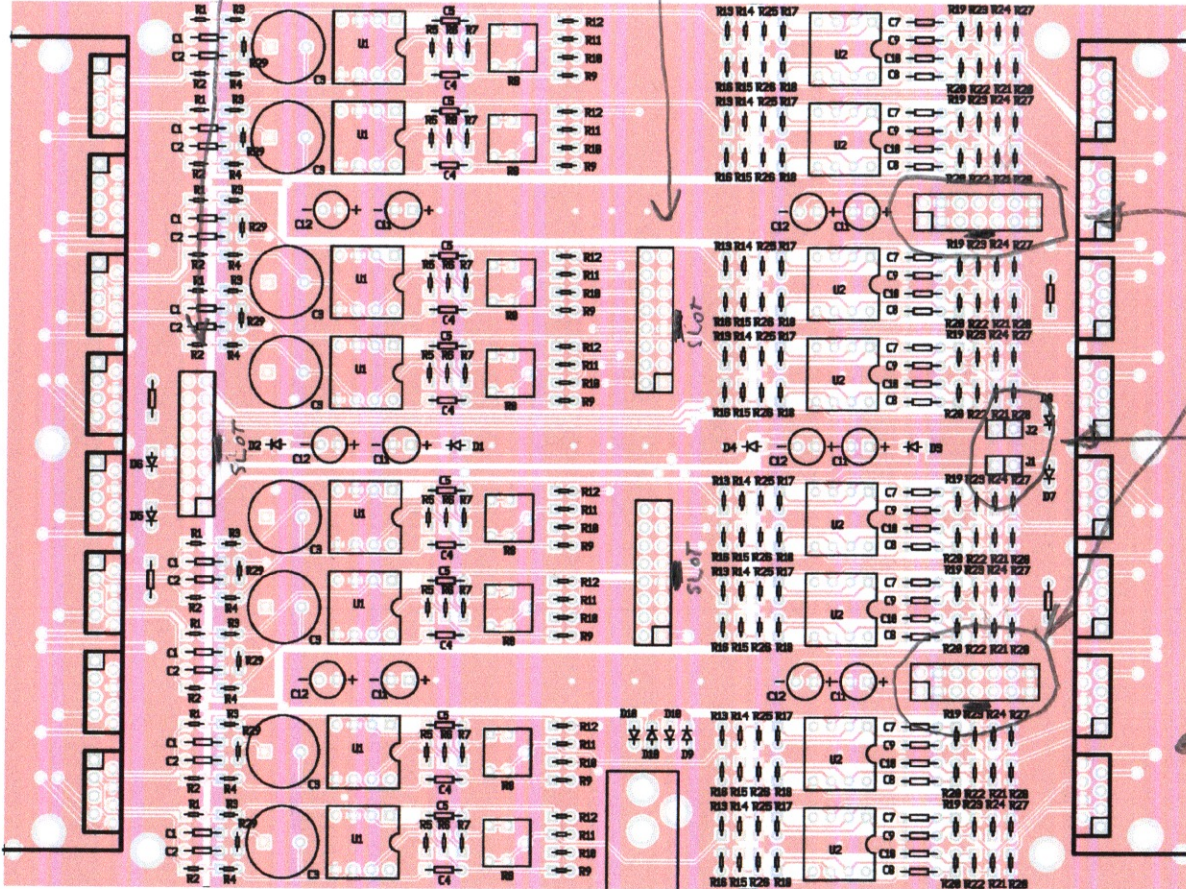
4

Connectors

note direction

4-1

16 pin x 3



4-2

14 pin x 2

2 pin x 2

Do this one first
Should be there
already

R545 4-3

assy.

This one last

4-4

Ohm-meter check.

10K - 100K range

- to ground:

+ to U1 pin 8

should show charging cap.

+ to U2 pins

+ to ground

- to U1 pin 4

" " " "

- to U2 pin 4

Voltmeter check

- to ground - pins 8 and 4 should show residual voltage

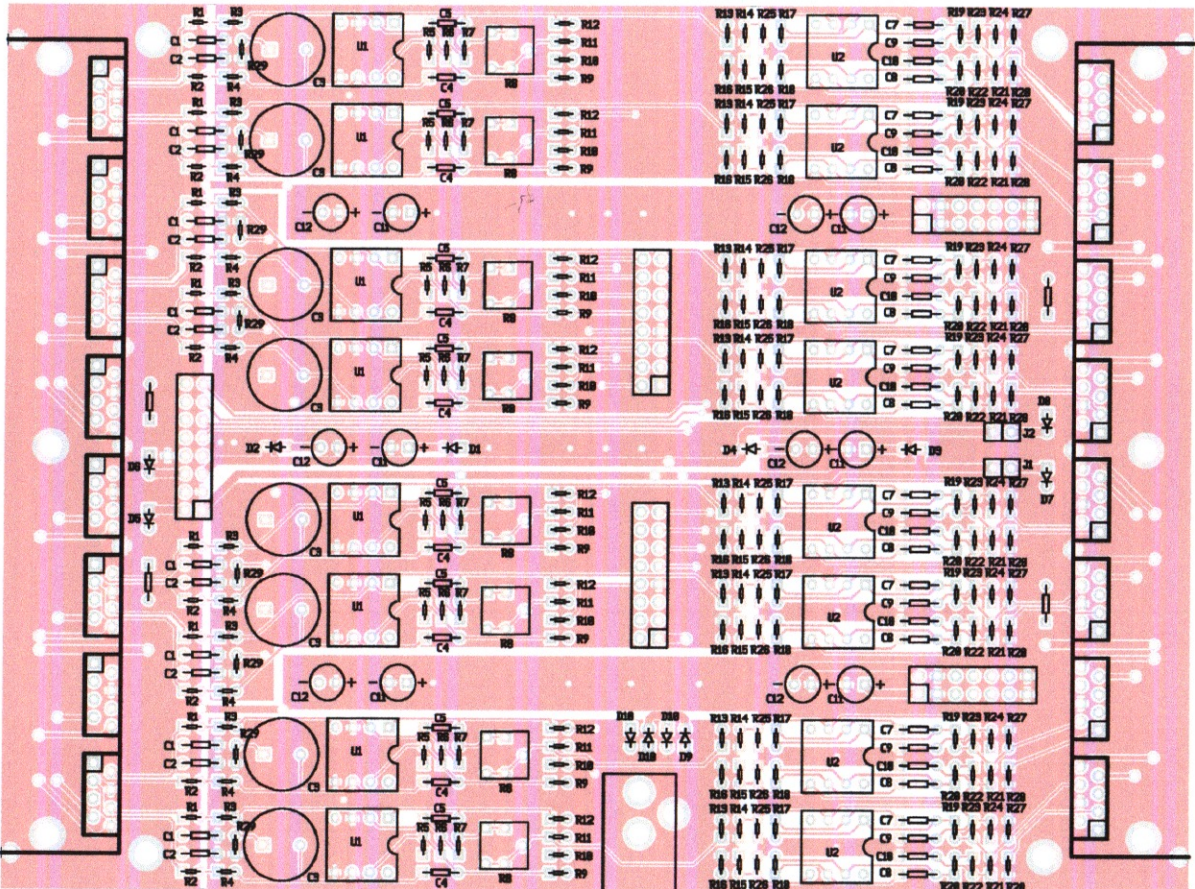
5

outboard, topassembly, scale = 1:1,000
outboard.pcb

chips

LF353
or TL072
↓

5532
↓



5532